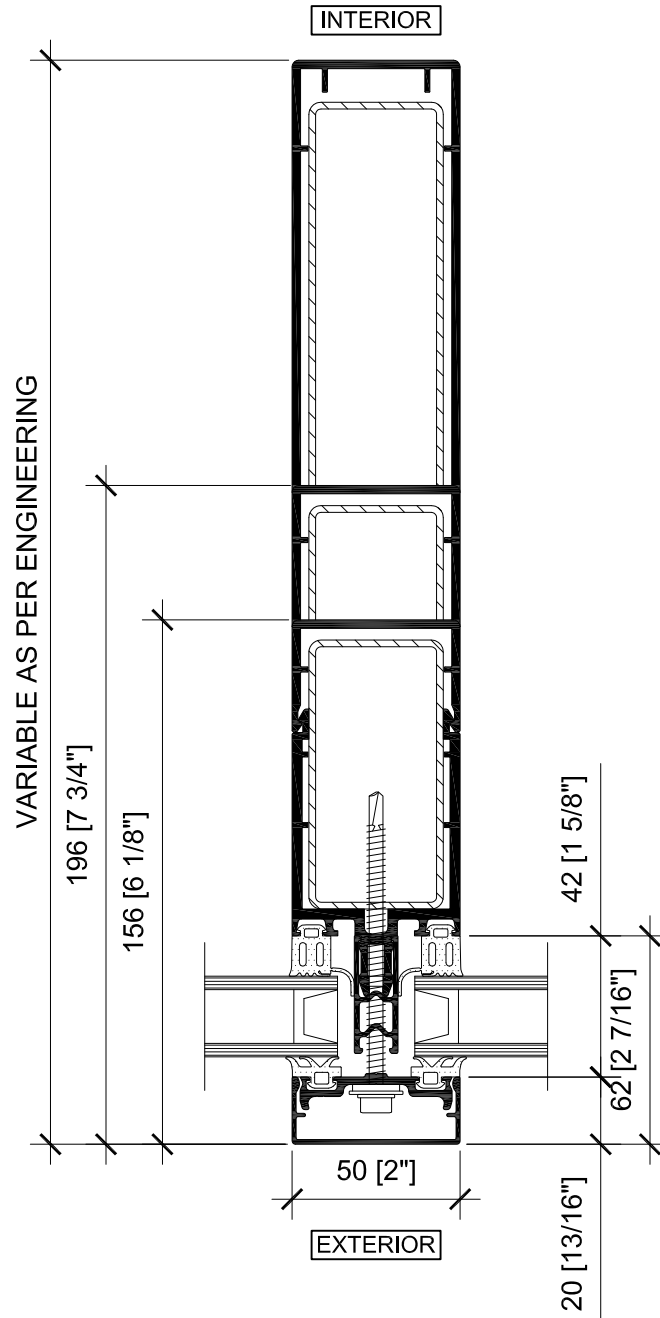
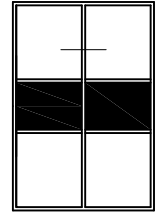


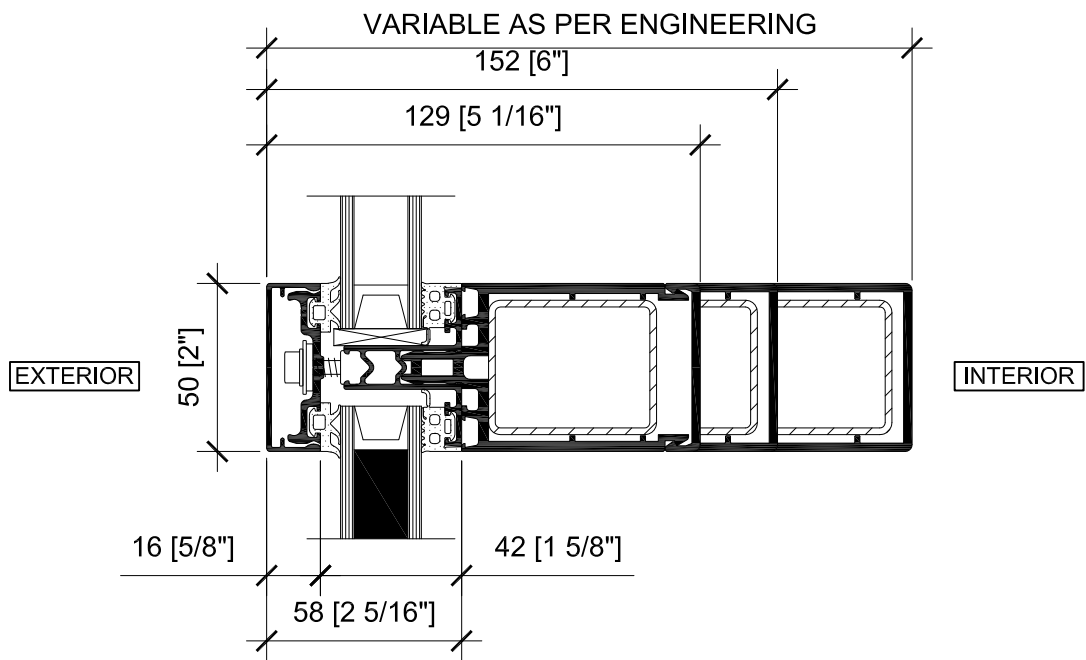
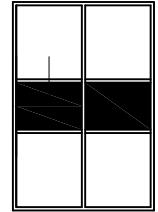
# P50

## CURTAIN WALL VERTICAL MULLION

P50-001  
STANDARD DETAILS

SCALE: 1:2



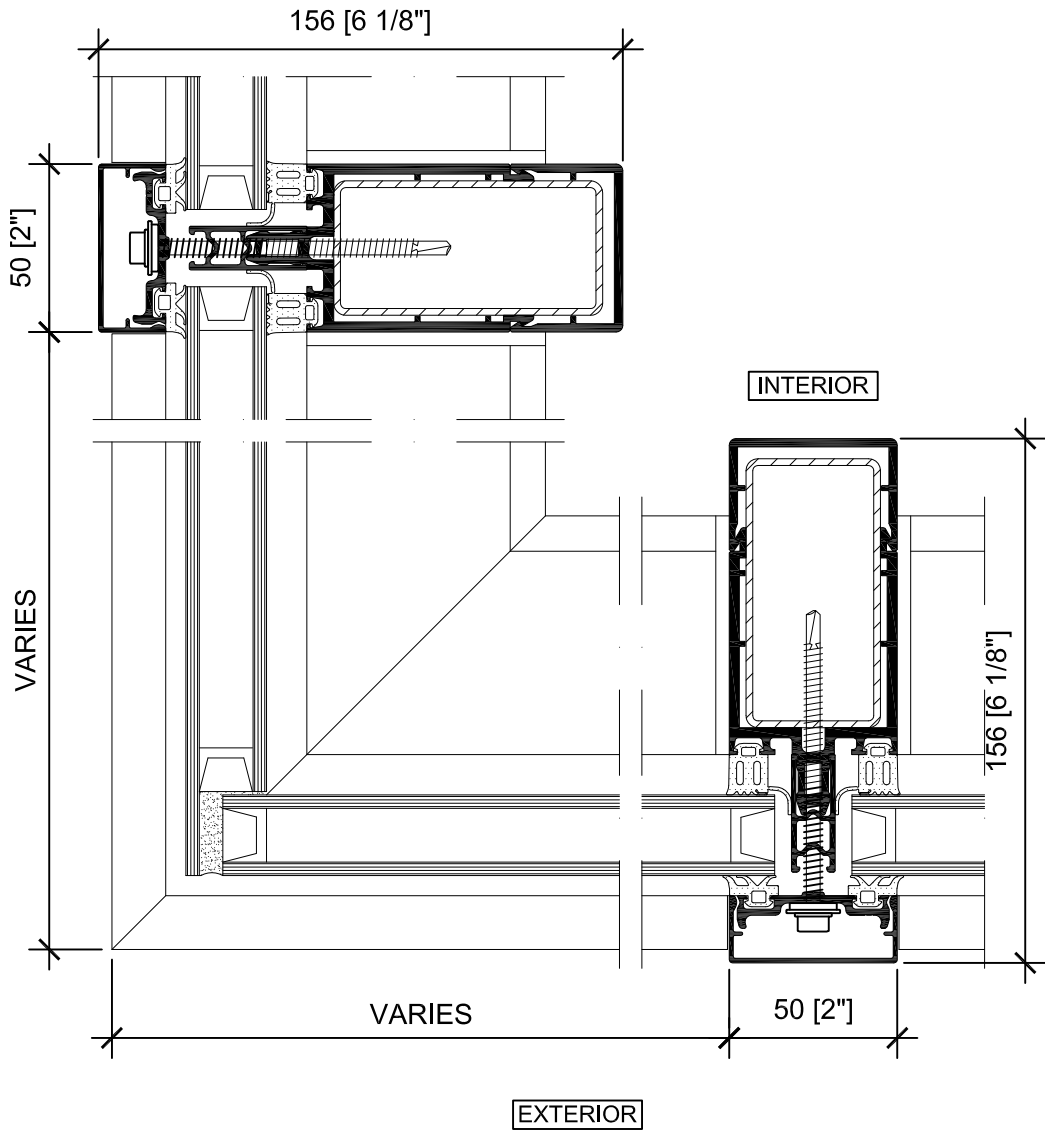


# P50

**CURTAIN WALL**  
CORNER BUTT GLAZING

P50-003  
STANDARD DETAILS

SCALE: 1:2

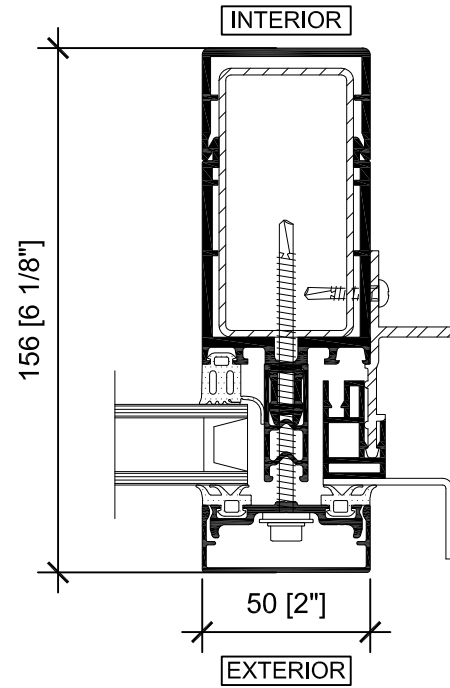
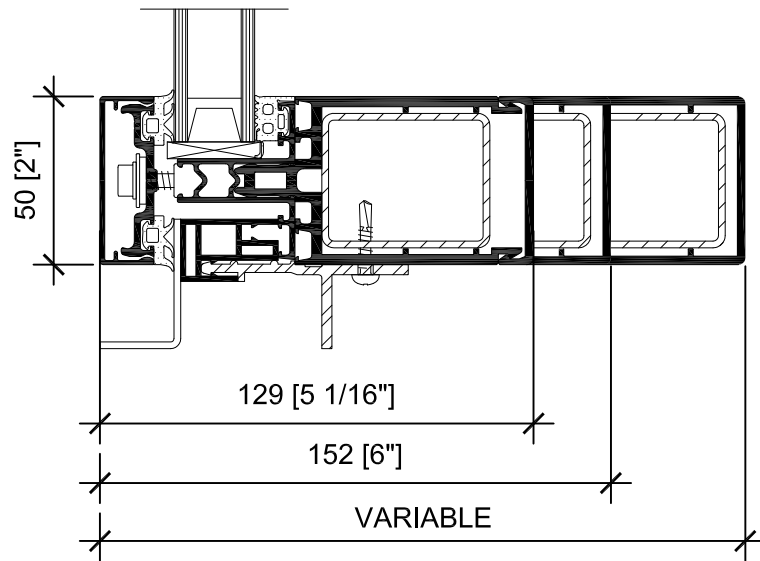
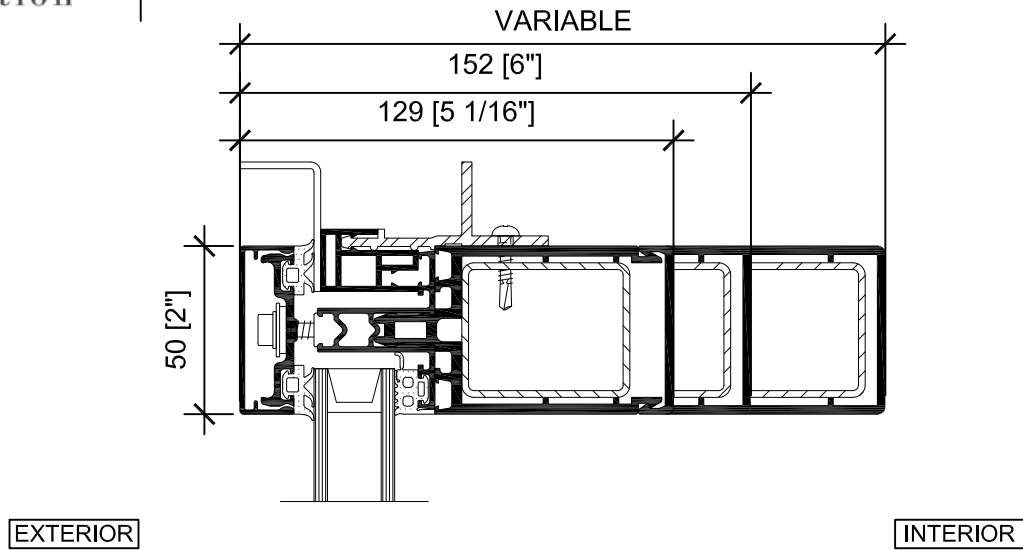


# P50

## CURTAIN WALL HEAD, SILL & JAMB

P50-004  
STANDARD DETAILS

SCALE: 1:2

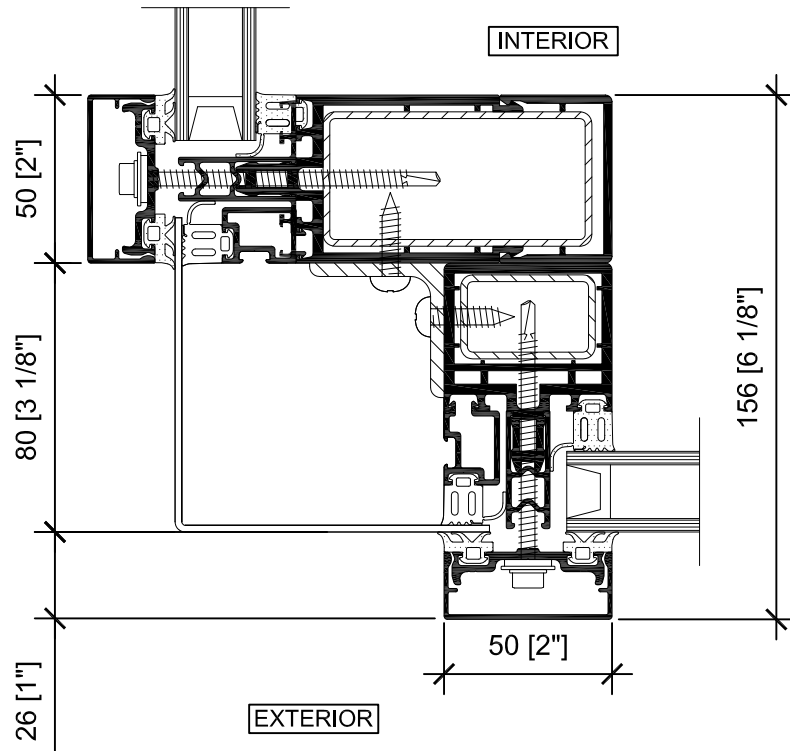


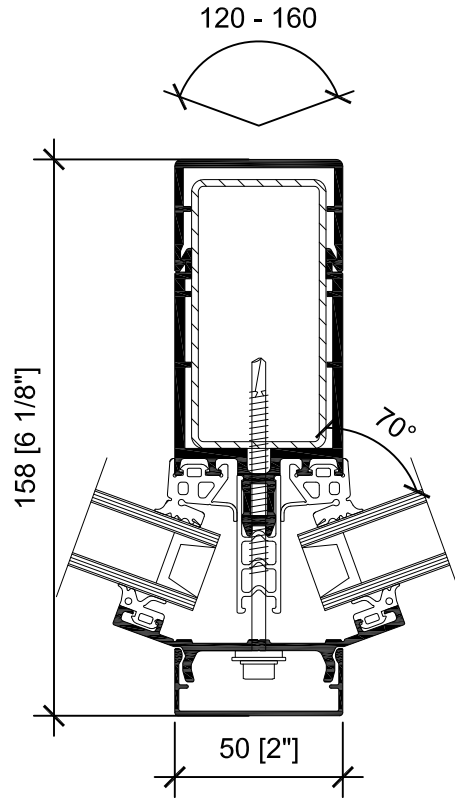
# P50

**CURTAIN WALL**  
**CORNER SECTION ALUMINUM INSERT**

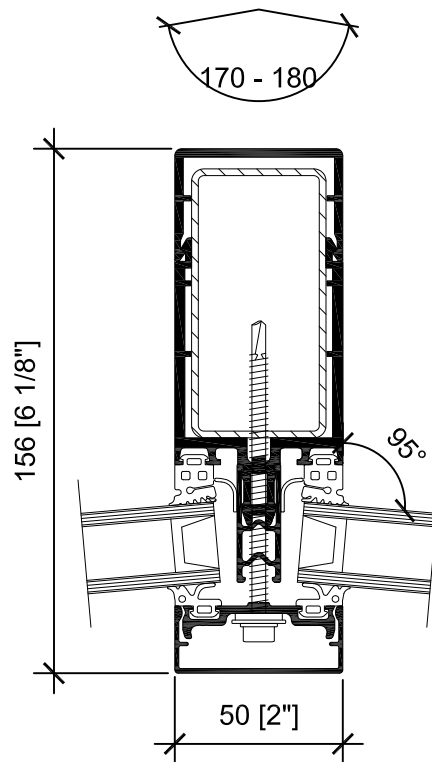
P50-005  
STANDARD DETAILS

SCALE: 1:2





EXTERNAL CORNER (VARIABLE 10-30 DEGREES)



INTERNAL CORNER (VARIABLE 0-10 DEGREES)

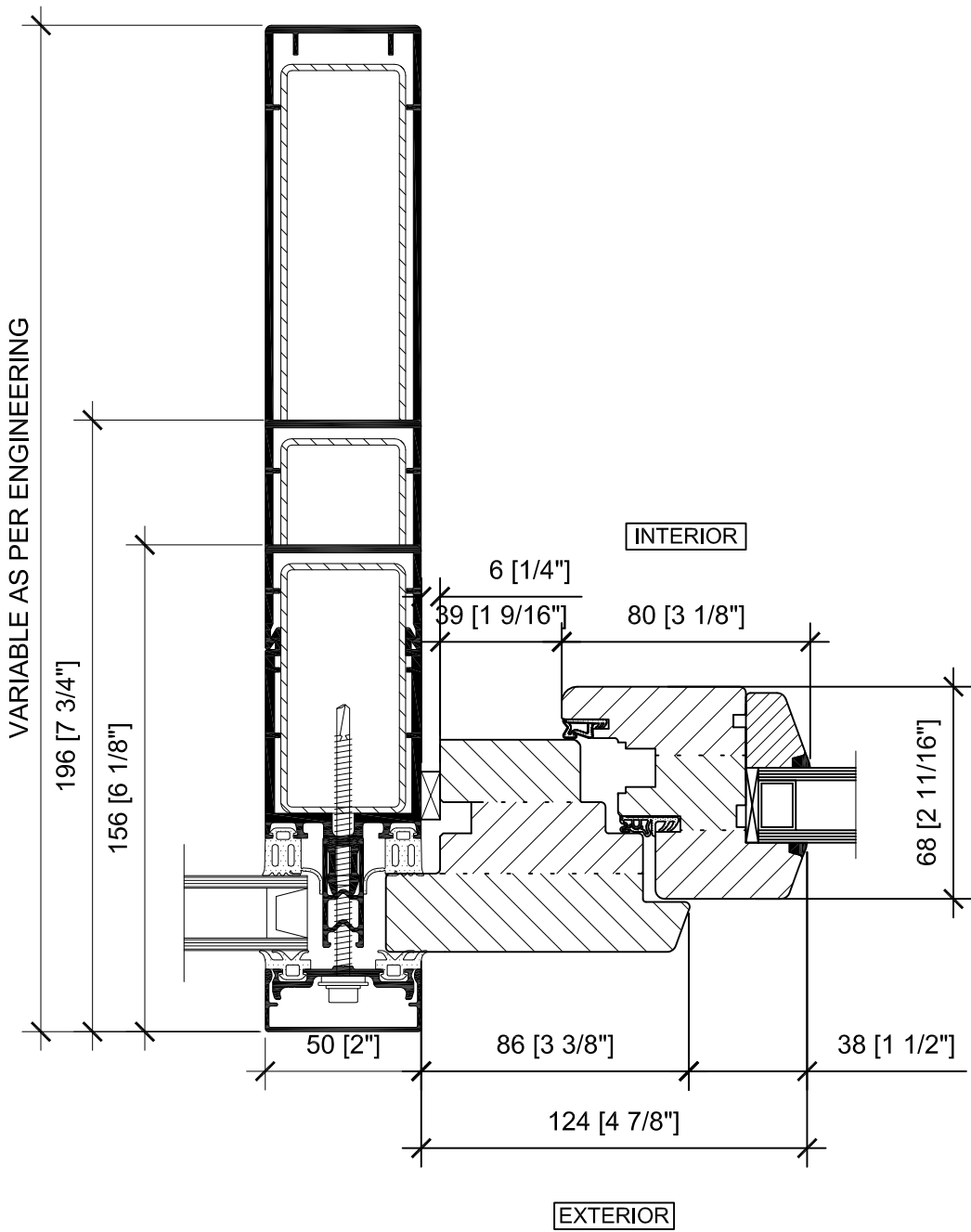


# P50

CURTAIN WALL  
VERTICAL MULLION WITH M68  
TILT & TURN WINDOW

P50-007  
STANDARD DETAILS

SCALE: 1:2

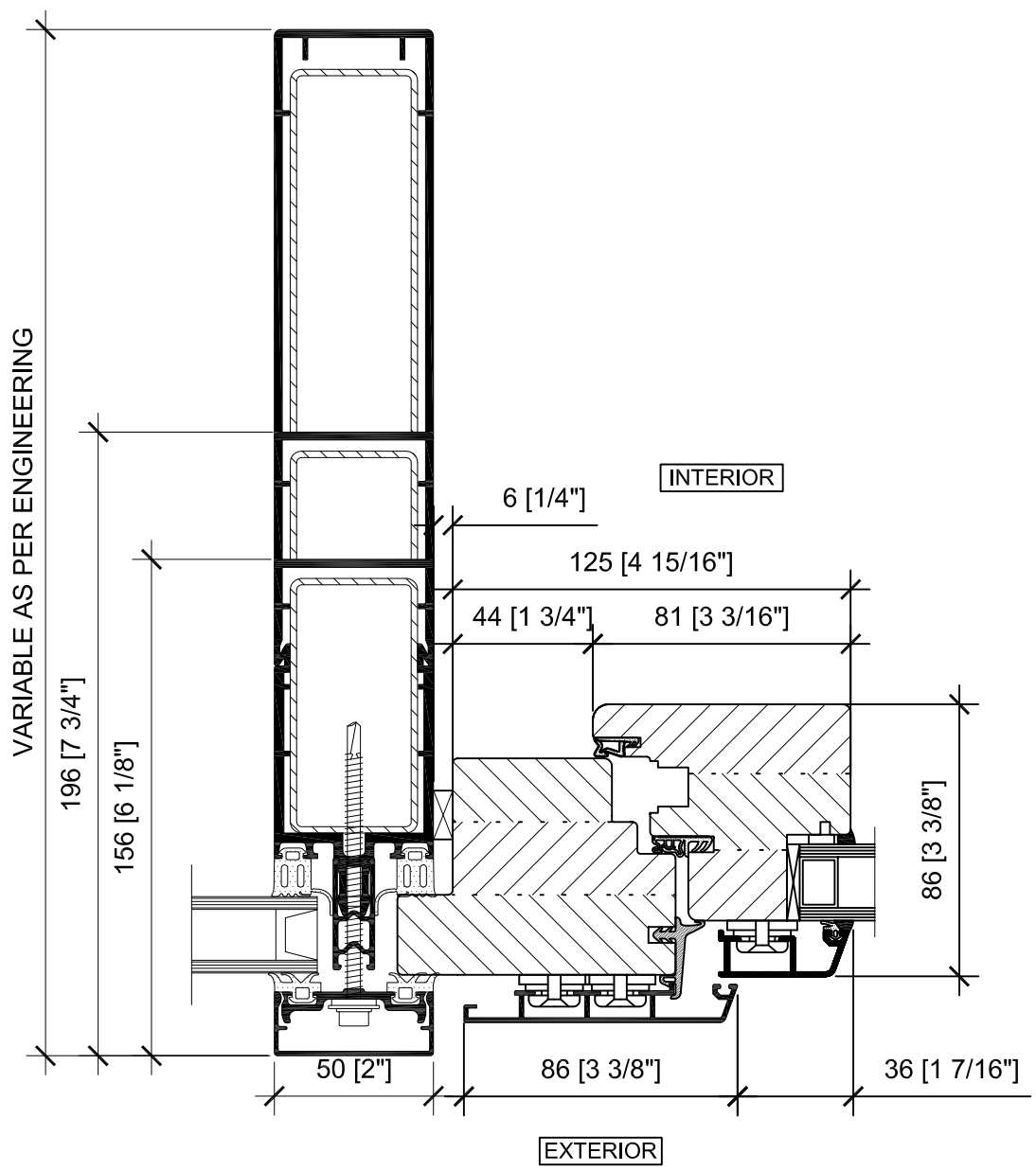




# P50

**CURTAIN WALL**  
VERTICAL MULLION WITH M80  
TILT & TURN WINDOW

P50-008  
STANDARD DETAILS  
SCALE: 1:2





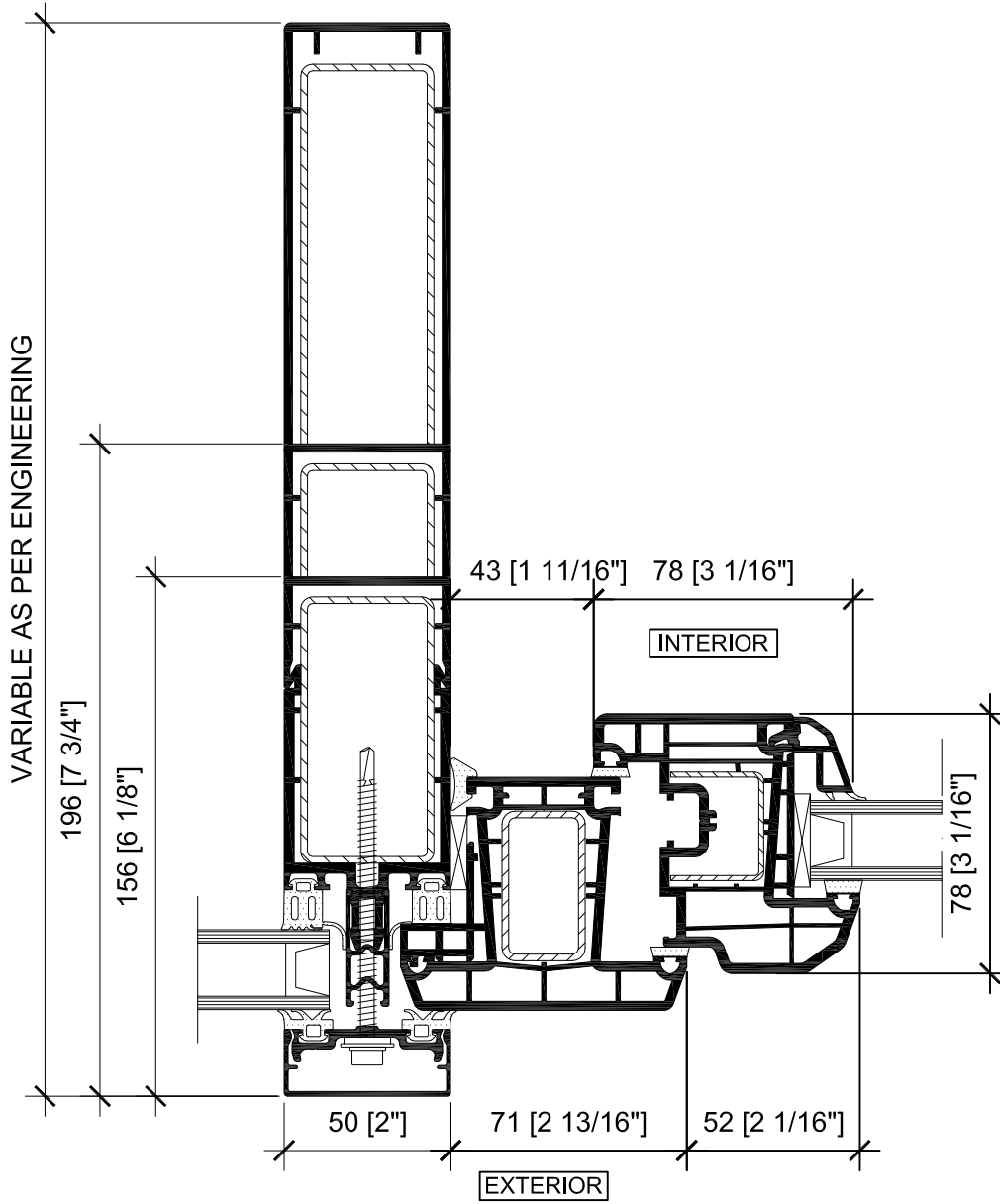


# P50

**CURTAIN WALL**  
VERTICAL MULLION WITH E70  
TILT & TURN WINDOW

P50-009  
STANDARD DETAILS

SCALE: 1:2



# P50

**CURTAIN WALL**  
**VERTICAL MULLION WITH E70**  
**TILT & TURN DOOR**

P50-010  
 STANDARD DETAILS

SCALE: 1:2

